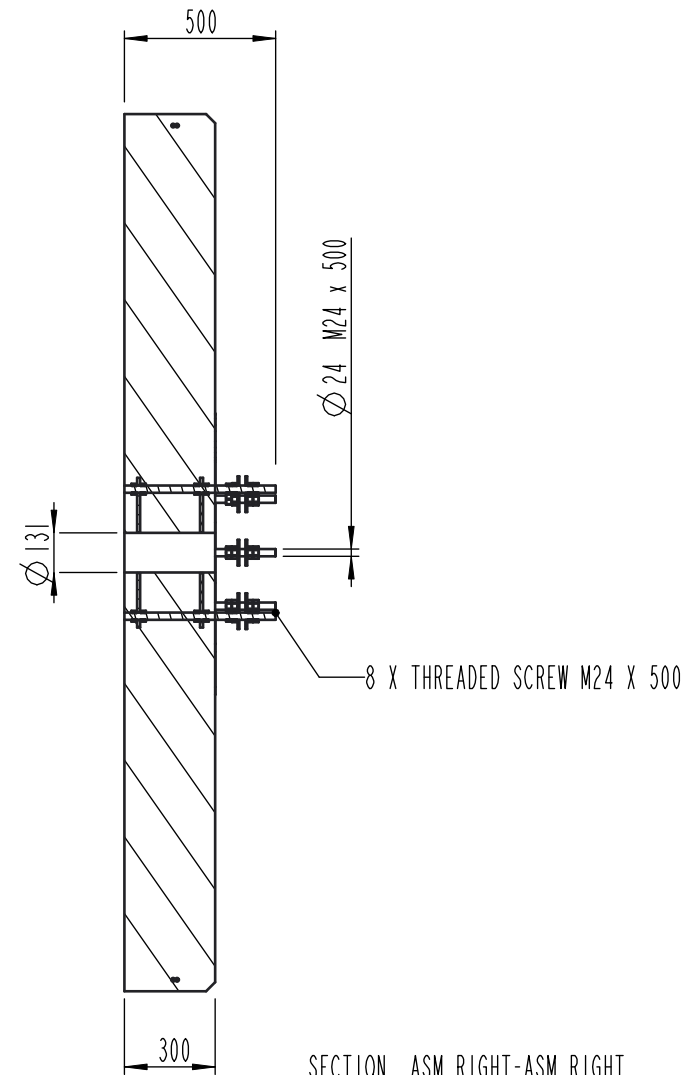
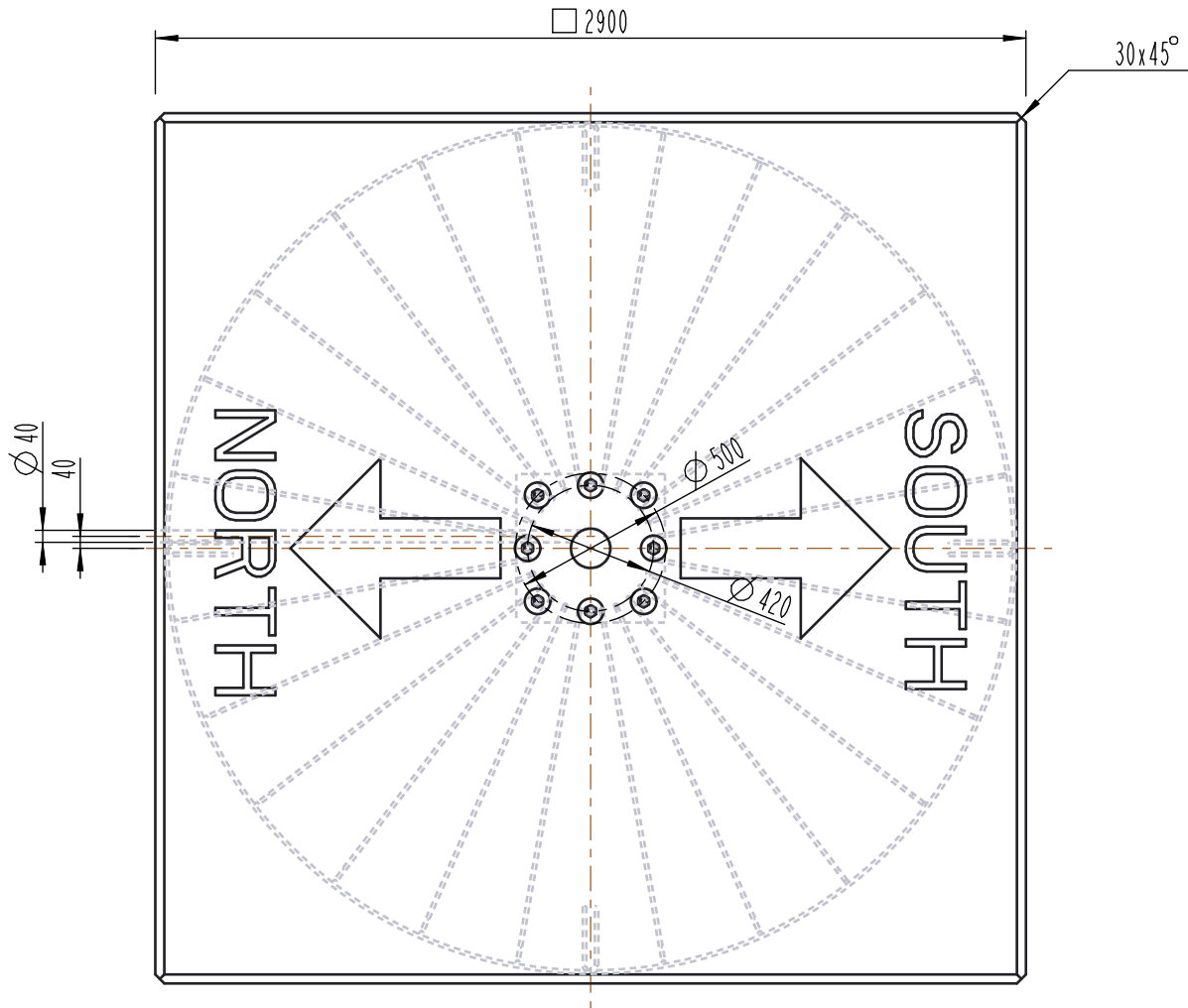
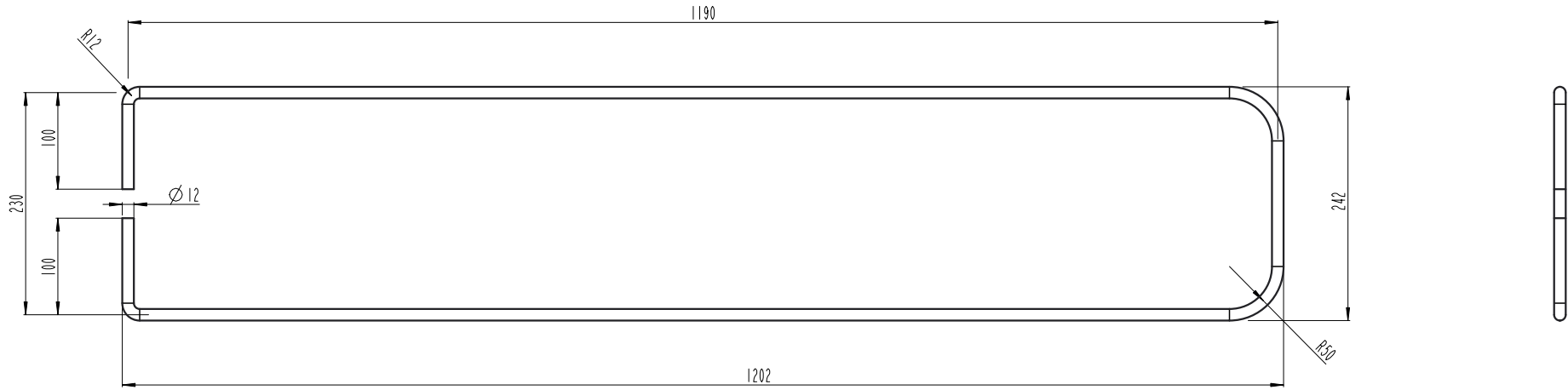


No. of changes on drawing:	Date:	Checked & approved by:
----------------------------	-------	------------------------



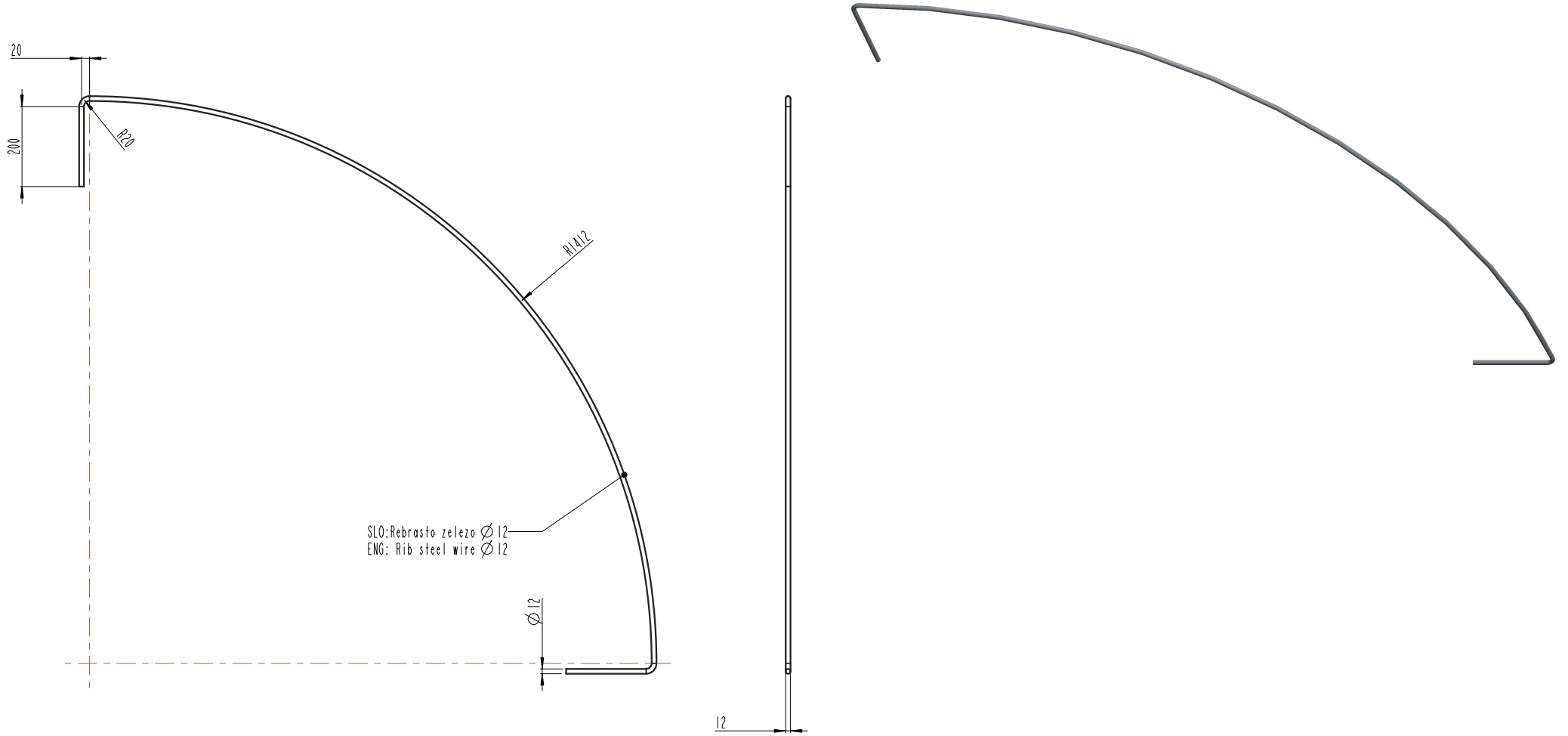
7327	1	Assembly / Sestav	2900x2900x300	N7	ISO 2768 M	Welding assembly covered with concrete mass					
Position: Quantity:		Material:		Size:	Open roughness:	Open tolerances:	Treatment & Remarks:				
Bolka B.		Bolka B.		7327		BPSM44M3V15P	7327 / A		0,040	123735,873 g	
Drawn by:		Checked by:		Approved by:		EAN code / standard:	Code #2:	No. of drawing:	Scale:	Mass:	
			Description: Concrete basement for solar tracker ST44M3V15P								
			File: BET_TEM_SM44M3V15P / BET_TEM_SM44M3V15P							Latest version:	Page:
Sat Control d.o.o. Pozenik 10, SI-4207 CERKLJE - SLOVENIA - EU			VI							1/1	31.10.16


No. of changes on drawing:	Date:	Checked & approved by:
----------------------------	-------	------------------------



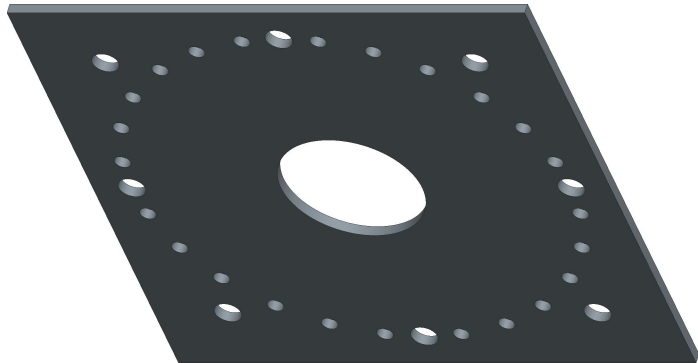
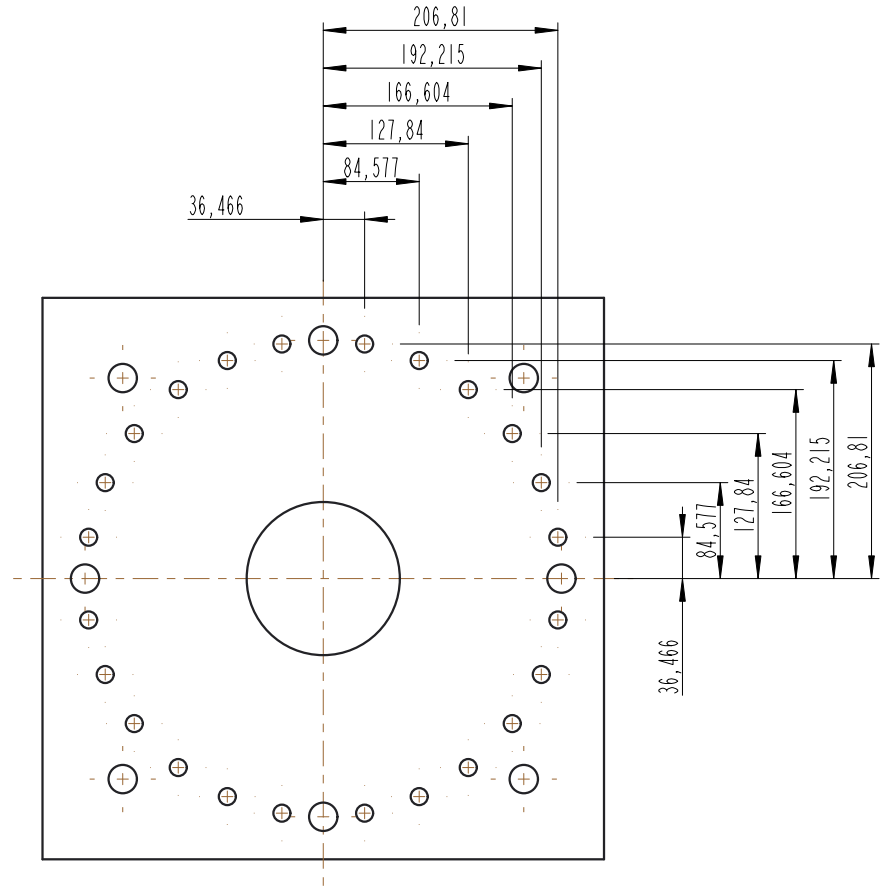
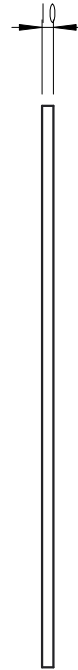
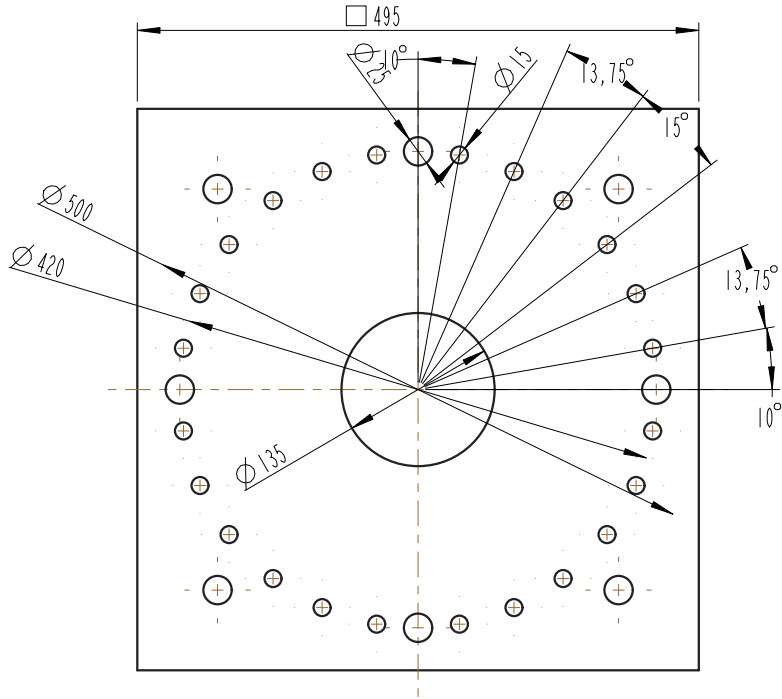
7329	1	ST52, dia: 12mm	DIA 12 MM	N7	ISO 2768 M	ST52, dia: 12mm			
Position: Quantity:		Material:		Size:	Open roughness:	Open tolerances:	Treatment & Remarks:		
Bolka B.		Bolka J.	Bolka B.	7329		UPJABPSM44M3V15P	7329 / A	0,150	2438,154 g
Drawed by:		Checked by:	Approved by:	EAN code / standard:		Code #2:	No. of drawing:	Scale:	Mass:
			Description: U-bended bar for concrete basement of SM44M3V15P						
			File: PAL_U_JEK_ARM_TEM_SM44M3V15P / PAL_U_JEK_ARM_TEM_SM44M3V15P						
Sat Control d.o.o. Pozenik 10, SI-4207 CERKLJE - SLOVENIA - EU							VI	1/1	01.06.14

No. of changes on drawing:	Date:	Checked & approved by:



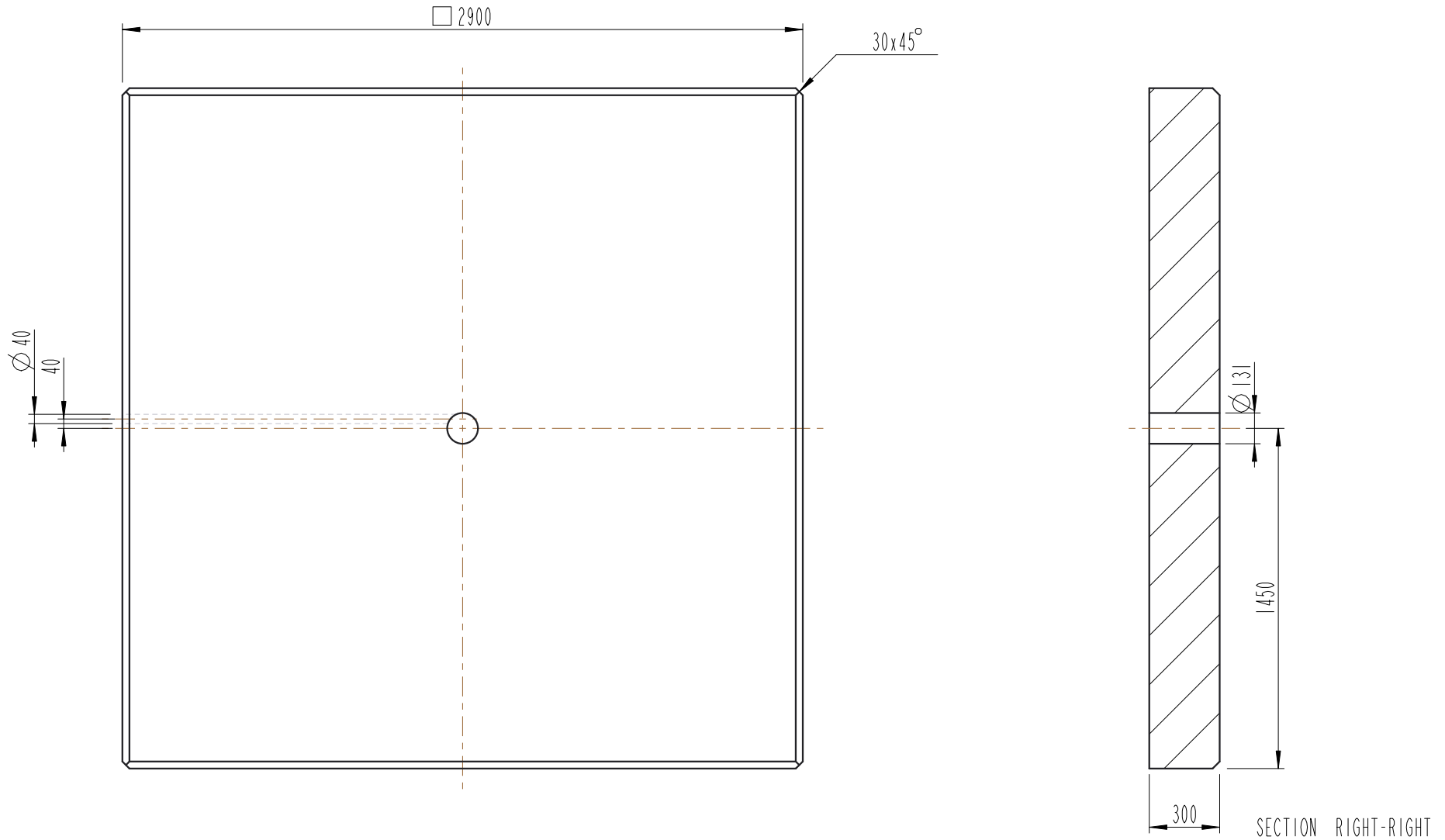
7330	1	Wn 1.0052, ST52, S355J2H		DIA 12 MM	N7	ISO 2768 M	ST52, dia: 12mm			
Position: Quantity:		Material:		Size:	Open roughness:	Open tolerances:	Treatment & Remarks:			
Bolka B.		Bolka J.	Bolka B.	7330		OJABPSM44M3V15P	7330 / A	0,070	2370,953 g	
Drawn by:		Checked by:		Approved by:		EAN code / standard:	Code #2:	No. of drawing:	Scale: Mass:	
				Description: Round bar for concrete basement of SM44M3V15P						
				File: OBR_JEK_ARM_TEM_SM44M3V15P / OBR_JEK_ARM_TEM_SM44M3V15P					Latest version:	Page:
Sat Control d.o.o. Pozenik 10, SI-4207 CERKLJE - SLOVENIA - EU						VI		1/1	01.06.14	


No. of changes on drawing:	Date:	Checked & approved by:
----------------------------	-------	------------------------



7328	1	Wn 1.0052, ST52, S355J2H	500x500x10	N7	ISO 2768 M	RST 37-2		
Position: Quantity:		Material:		Size:	Open roughness:	Open tolerances:	Treatment & Remarks:	
Bolka B.		Bolka J.		7328		LRDPL07328	7328 / A	
Drawn by:		Checked by:		Approved by:	EAN code / standard:	Code #2:	No. of drawing:	Scale: 1/2
								Mass: 17402,861 g
			Description: Steel clamping plate for basement armature of SM44M3V15P					
			File: PLO_VPE_JEK_ARM_SM44M3V15P / PLO_VPE_JEK_ARM_SM44M3V15P			Latest version: VI	Page: 1/2	Date: 13.06.16

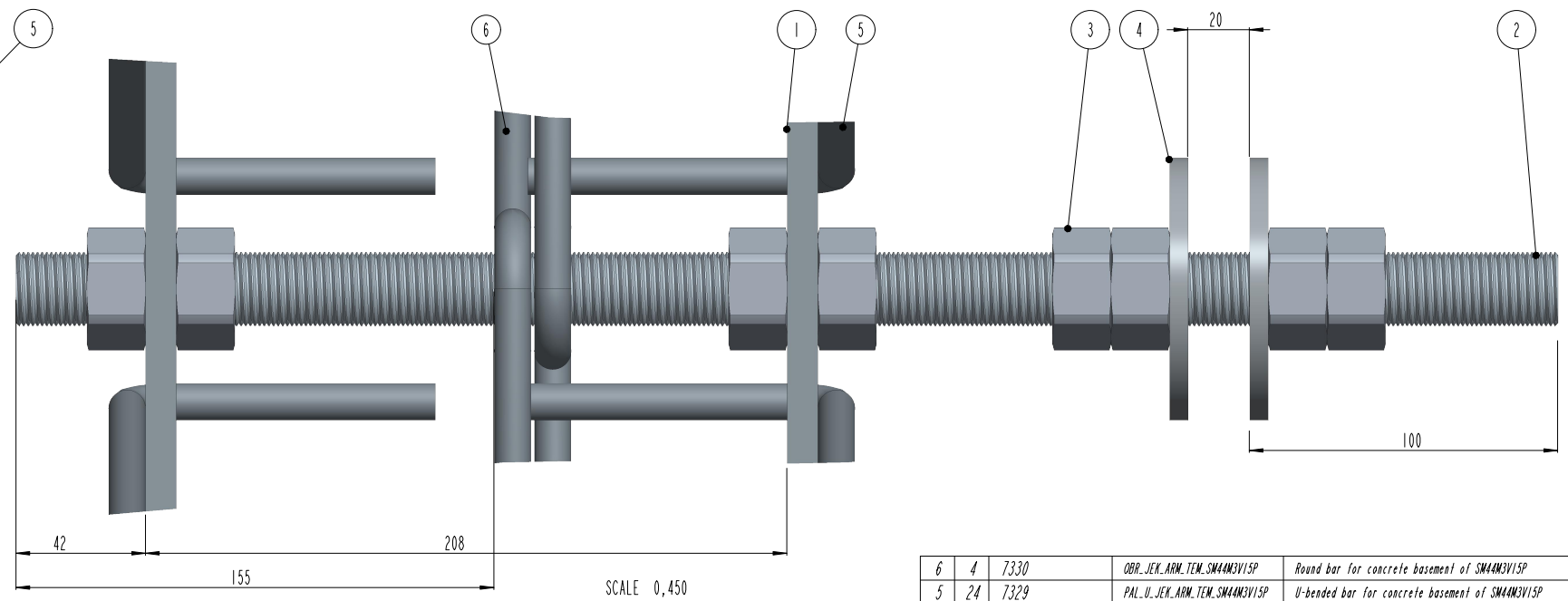
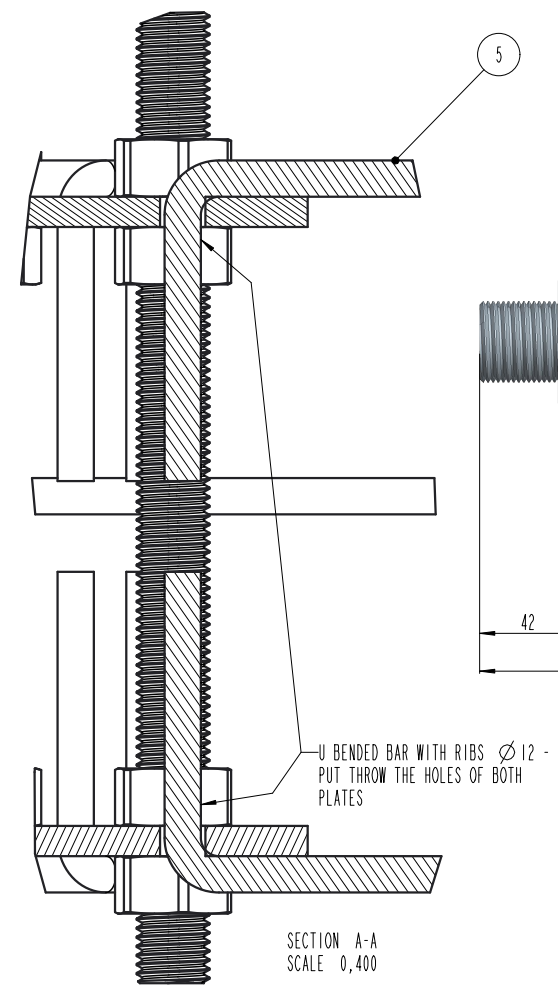
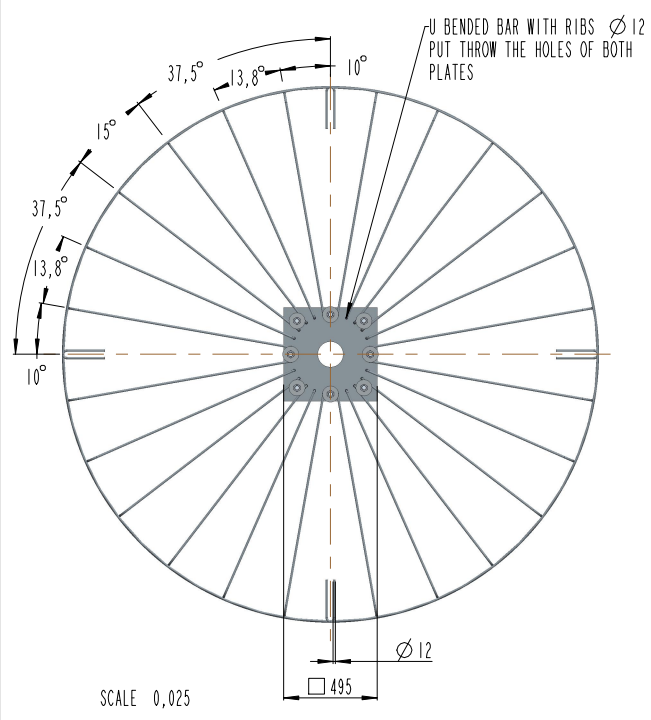
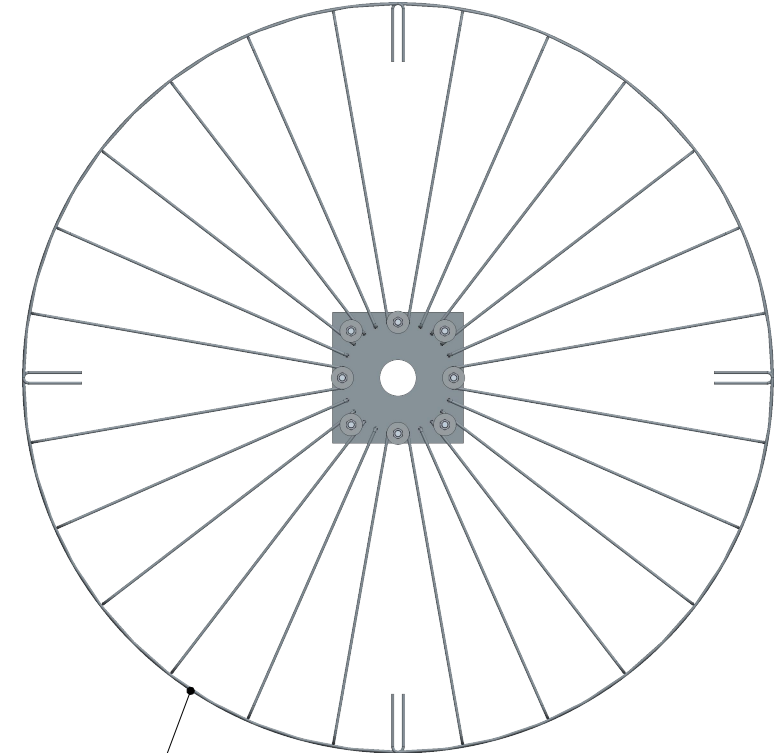
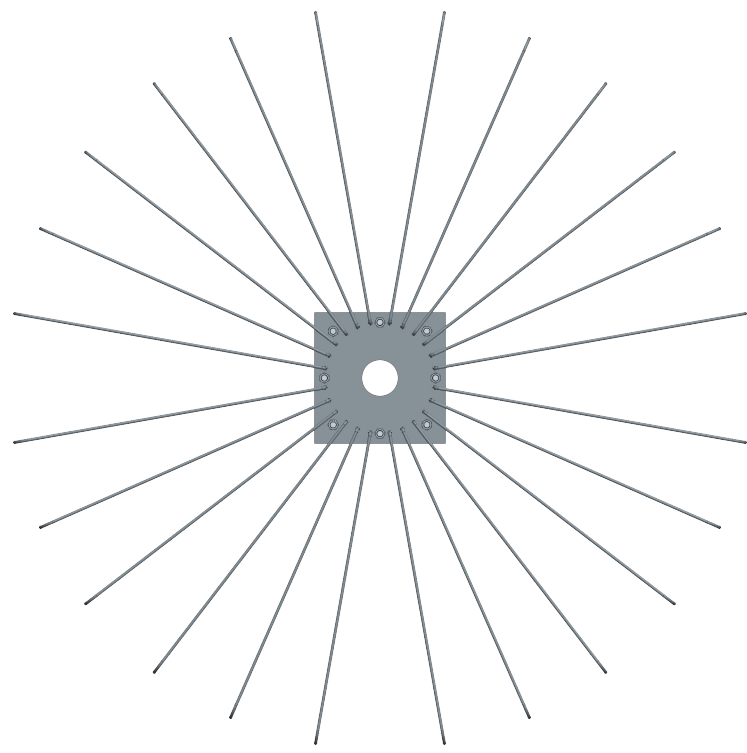
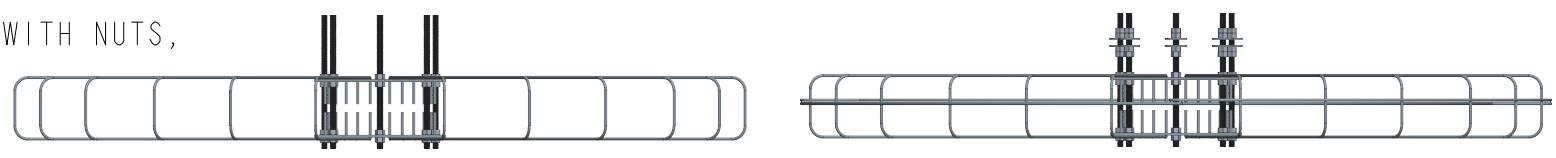
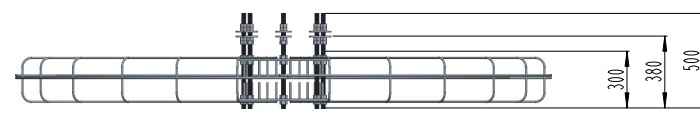
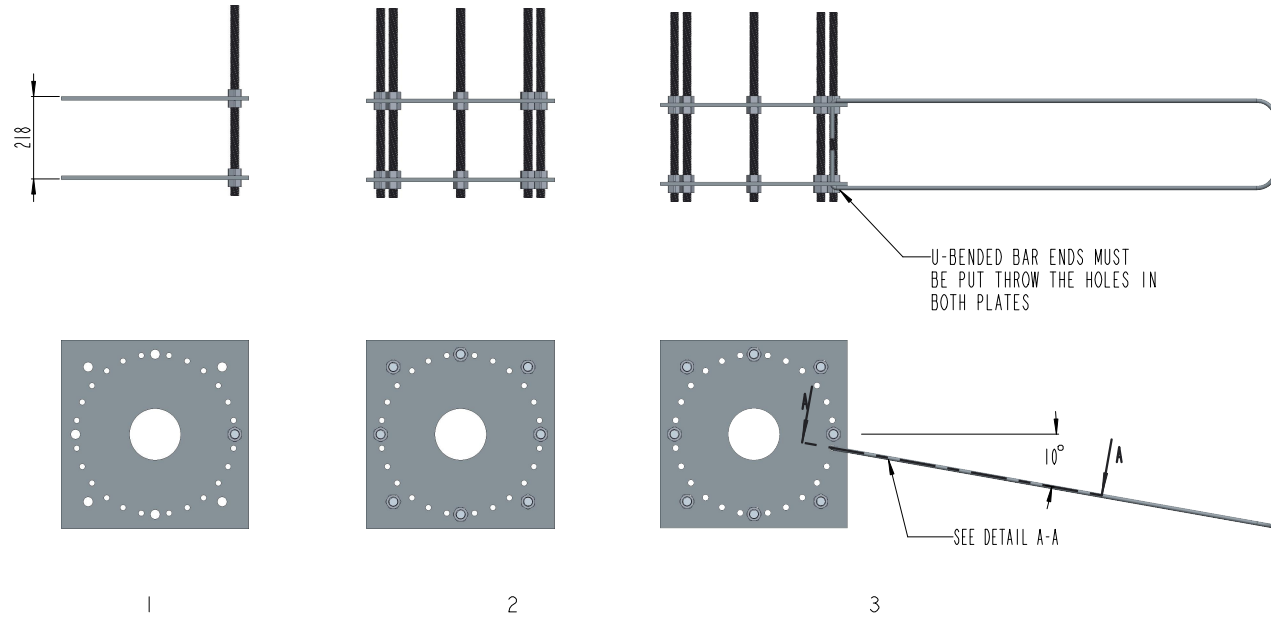
No. of changes on drawing:	Date:	Checked & approved by:
----------------------------	-------	------------------------



7327	1	Concrete block	2900x2900x300	N7	ISO 2768 M	Beton / Concrete				
Position: Quantity:		Material:		Size:	Open roughness:	Open tolerances:	Treatment & Remarks:			
Bolka B.		Bolka J.	Bolka B.	7327		BETSM44M3V15P	7327 / A	0,040 251,152 g		
Drawed by:		Checked by:	Approved by:	EAN code / standard:		Code #2:	No. of drawing:	Scale: Mass:		
 Sat Control d.o.o. Pozenik 10, SI-4207 CERKLJE - SLOVENIA - EU			Description: Concrete block for solar tracker SM44M3V15P for 15 pan. ( 25m <sup>2</sup> )					Latest version:	Page:	Date:
			File: BET_TEM_BLOK_SM44M3V15P / BET_TEM_BLOK_SM44M3V15P					VI	1/1	31.10.16

### INSTRUCTIONS HOW TO PREPARE THE STEEL REINFORCEMENT CAGE FOR CONCRETE BLOCK

FOLOW STEPS: 1. ASSEMBLE AS FOLOW STEPS BELOW. 1 - 3 ASSEMBLE AND TIGHT WITH NUTS, 4 - 5 ASSEMBLE AND TIGHT WITH STEEL WIRE TOGETHER



Code	Qty	File	Description
6	4	7330	OBR. JEK_ARM_TEM_SM44M3V15P Round bar for concrete basement of SM44M3V15P
5	24	7329	PAL. U. JEK_ARM_TEM_SM44M3V15P U-bended bar for concrete basement of SM44M3V15P
4	16	DIN440M24	DIN.440.M24 Washer (wide) M24 DIN440R ZN
3	64	DIN934M24	DIN.934.M24 Nut M24 DIN934 Fe/Zn 12um
2	8	DIN976M24-L0.5M	NAV.PAL.M24.X500 Threaded bar M24x500 HV: 8.8 galvanized
1	2	7328	PLO.VPE.JEK_ARM_SM44M3V15P Steel clamping plate for basement armature of SM44M3V15P

7316	1	Wn 1.0052, ST52, S355J2H	D2800x500	N7	ISO 2768 M	Welding construction together / Varijena konstrukcija skupaj	
Position: Quantity:		Material:		Size:		Open tolerances: Treatment & Remarks:	
Bolka B.	Bolka J.	Bolka B.	7316	JAS44M3V15P	7316 / A	0,050 121219,820 g	
Drawn by:		Checked by:		Approved by:		EAN code / standard: Code #2: No. of drawing: Scale: Mass:	
<b>SAT CONTROL</b>							
Description: Iron-reinforcement cage for SM44M3V15P for 15 pan. ( 25m <sup>2</sup> )							
File: JEK_ARM_ZA_TEM_BLOK_SM44M3V15P / JEK_ARM_ZA_TEM_BLOK_SM44M3V15P					Latest version: VI	Page: 1/1	Date: 31.10.16

Copyright Sat Control d.o.o. - Confidential !

Copyright Sat Control d.o.o. - Confidential !

Copyright Sat Control d.o.o. - Confidential !

Copyright Sat Control d.o.o. - Confidential !